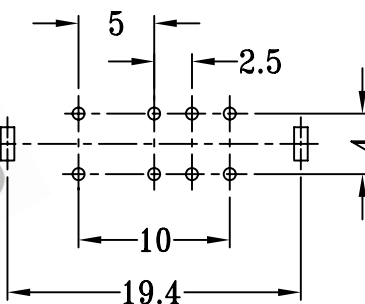
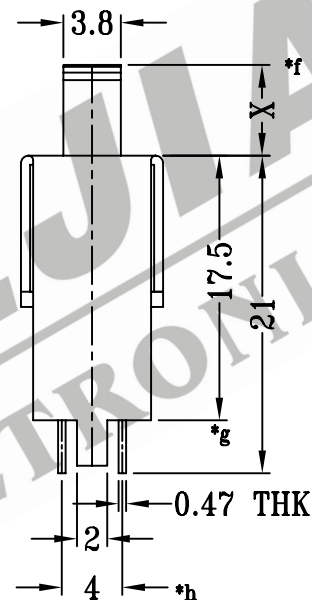
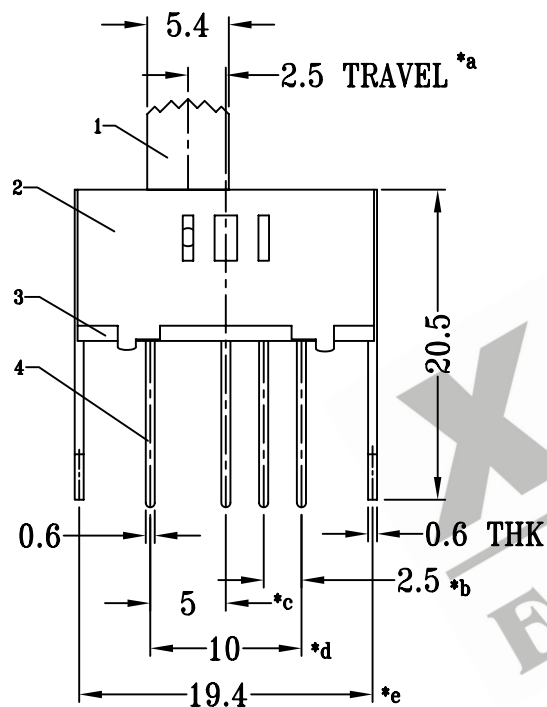
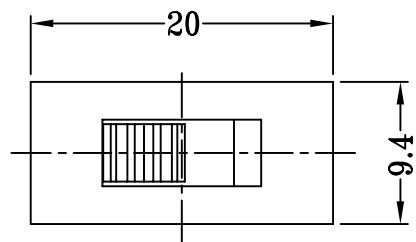


CAD FILE:



SCHEMATIC (SHORTING)

P.C.B. LAYOUT

注:带"*"表示关键尺寸(8个)

NO.	PART NAME	MATERIAL	QTY	FINISHING	TOLERANCE UNLESS SPECIFIED	SHENZHEN XIEJIA ELECTRONICS CO.,LTD.					
8						TITLE: VERITICAL SLIDE SWITCH	UNIT : MM	DRWG NO.:XJ-DR-SS23E03-00			
7	CONTACT CLIP	PBS STRIP	2	Ag PLATED	WITHIN: 1.5±0.1mm OVER : 1.5±0.2mm					ISSUE	DATE
6	STEEL BALL	STEEL	2	NATURAL		MODEL: SS-23E03	SCALE: 2:1	DWN	ZHOUYU	2002-11-17	
5	SPRING	STEEL WIRE	1	TEMPER				CHK'D	FANGYING	2002-11-17	
4	TERMINAL	BRASS STRIP	8	Ag PLATED OVER Ni PLATED				APPD	KANGXINAN	2002-11-17	
3	BASE	PHENILIC RESIN	1	NATURAL							
2	FRAME	STEEL STRIP	1	Ni PLATED							
1	KNOB	POM	1	BLACK							
					ALL MATERIALS MUST BE COMPLIANT TO ROHS						